



Vertically Integrated, Made in the USA

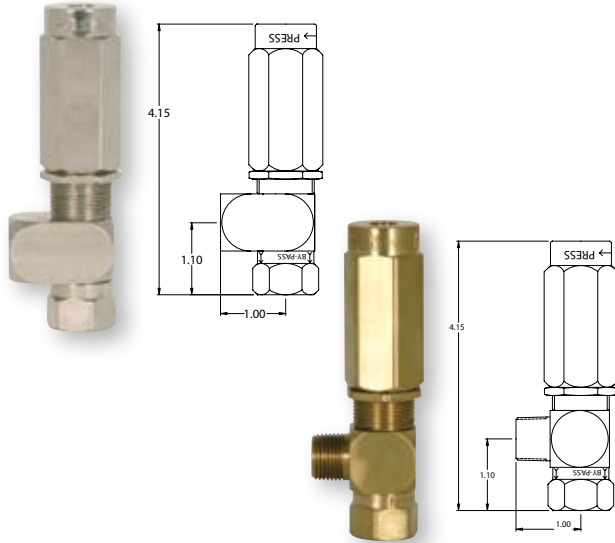
THE SPECIALTY MFG. CO.

5858 Centerville Road • St. Paul, MN 55127-6804

Tel: (651) 653-0599 • Fax: (651) 653-0989

www.specialtymfg.com • e-mail: info@specialtymfg.com

555 SERIES BALANCED PRESSURE REGULATOR



Design Considerations

The 555 Series Off Line Balanced Pressure Regulator is designed for carwash and pressure wash applications where a weep gun is used or bypass can be returned to the supply tank. The 555 Series Off Line Regulator is available in three standard spring pressure ranges to 2000 psi and can be used in systems with more than one outlet. The 555 Series Off Line Regulator mounts to a "T" from the pump outlet and is repairable. The 555 Series Off Line Regulator is available with Buna-N, Ethylene Propylene and Fluoroelastomer (Viton®) seals for chemical compatibility.

- Maximum Operating Pressure — 2000 psi
- Maximum Operating Temperature — 180°F
- Maximum Flow Rate — 10 GPM

Options

Material Options Brass Body, Ends and Adjustment Cap
 316 Stainless Body and Ends, Electroless Nickel Plated Brass Adjustment Cap
 316 Stainless Piston, 303 Stainless Seat

Seal Options Buna-N, Ethylene Propylene, Fluoroelastomer (Viton®)

Inlet End Options 3/8 Male and Female NPT

Bypass End Options 3/8 Female NPT

Spring Options	500 psi (Blue Spring)	Part Numbers 5550140
	1000 psi (Red Spring)	5550130
	2000 psi (Gold Spring)	5550120

Replacement Part Options	Piston, 316 Stainless	5550230
	Quad Ring/Backing Ring Piston Seal Kit, Buna-N	5550490
	Quad Ring/Backing Ring Piston Seal Kit, Ethylene Propylene	5551690
	Quad Ring/Backing Ring Piston Seal Kit, Fluoroelastomer (Viton®)	5551990
	Seat/O-Ring Seal Kit, Buna-N	5550590
	Seat/O-Ring Seal Kit, Ethylene Propylene	5552090
	Seat/O-Ring Seal Kit, Fluoroelastomer (Viton®)	5552190

Example of How To Order

Body Brass	Inlet End 3/8 MNPT	Bypass End 3/8 FNPT	Seal Buna-N	Spring 1000 psi
----------------------	------------------------------	-------------------------------	-----------------------	---------------------------

SMC Part Number: BPR BRS 555-6M-B,1000 psi

SMC Part Numbers are a description of the regulator as read left to right, Inlet to Standard 3/8 FNPT Bypass
Example: BPR BRS 555-6M-B,1000 psi = 3/8 MNPT Inlet

SMC will quote alternate materials or customize our standard products when quantities ensure competitive pricing.